

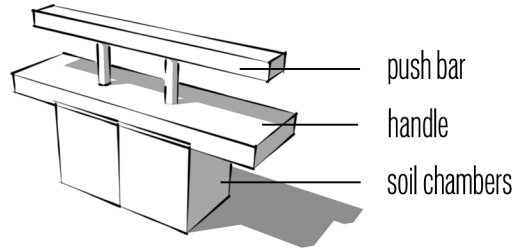


soil cube tool ©

INSTRUCTIONS

HOW TO USE YOUR NEW SOIL CUBE TOOL

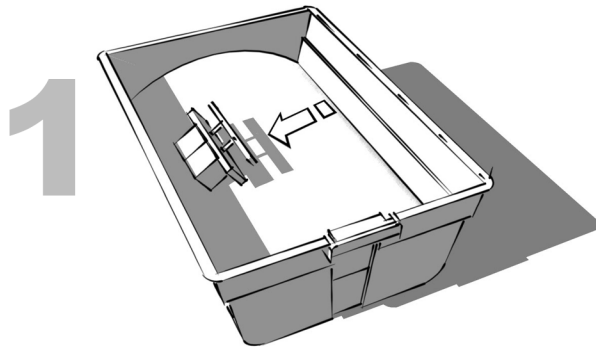
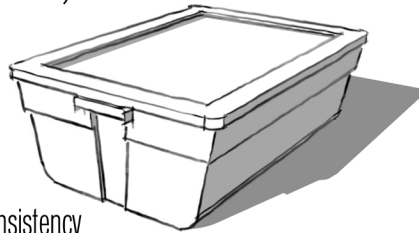
100%
LIFETIME
GUARANTEE
MADE IN
AMERICA
BY HAND



PARTS OF THE SOIL CUBE TOOL

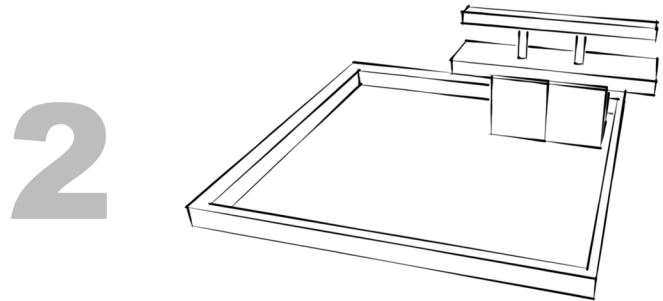
SOIL MIX RECIPE: (mix in a plastic tub)

- 3 parts peat moss
- 2 parts sand and perlite mixed
- 1 part garden soil
- 2 parts well composted, compost
- sprinkle in some lime and fertilizer
- mix with water until it reaches oatmeal consistency



1

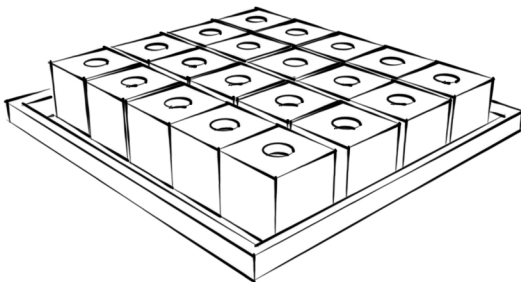
- push cube tool through the soil and fill the soil chambers.
- press the soil chambers against the side of the tub to compact the soil tightly and wipe edges with finger



2

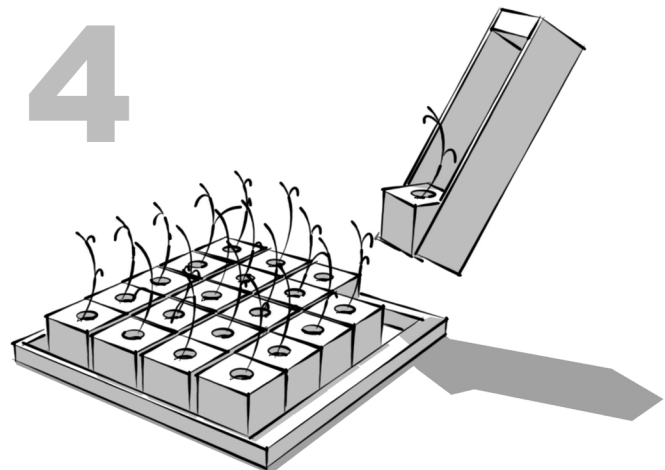
- push cube tool on tray with the handles while pressing down on the push bar
- this will compact the soil cube
- while gently lifting the handles, push down on the push bar to release the soil cube
- this will take some practice to get the feel of it

3



- rinse cube tool in a bucket of water between cubes
- repeat until tray is full
- place seeds in divot in the cubes
- keep moist with a spray bottle until the seeds sprout

4



- use tongs to transplant cubes to the garden when seedlings are ready